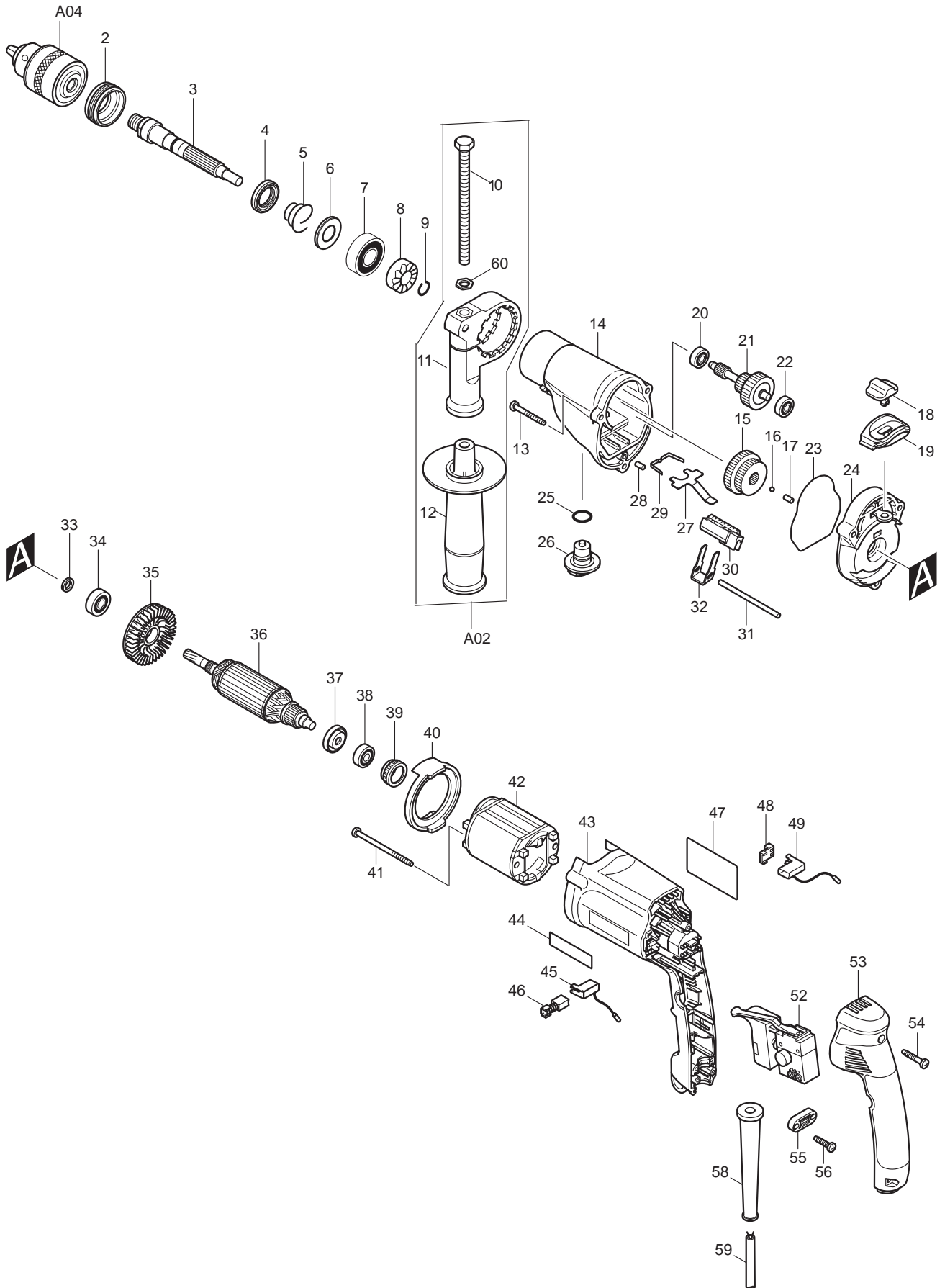




03 - 2010
HP2050/ HP2050H
3/4" 2-SPEED HAMMER DRILL



Item No.	Type	Sub	Part No.	Description (*see Service changes on the bottom)	Qty	Unit
2			285839-4	BEARING RETAINER	1	PC.
3			324247-5	SPINDLE	1	PC.
4			213314-0	OIL SEAL 19	1	PC.
5			233921-3	CONICAL COMPRESSION SPRING	1	PC.
6			345224-4	CUP WASHER 15	1	PC.
7			211206-7	BALL BEARING 6202LLB	1	PC.
8			223137-8	CAM A	1	PC.
9			233920-5	RING SPRING 11	1	PC.
10			921923-8	* HEX. BOLT M8X120	1	PC.
11			417630-4	* GRIP BASE	1	PC.
12			153503-4	* GRIP 36 COMPLETE	1	PC.
13			266053-1	TAPPING SCREW 4X35	3	PC.
14			153379-9	GEAR HOUSING COMPLETE	1	PC.
15	1		227030-8	SPUR GEAR 29-37 (Sintered)	1	PC.
	2		227119-2	SPUR GEAR 29-37 (Machined)	1	PC.
16			216001-0	STEEL BALL 3.5	1	PC.
17			256251-5	PIN 4	1	PC.
18			418083-0	CHANGE LEVER A (OLD# 417801-3 - N/L/A)	1	PC.
19			417802-1	LEVER CASE	1	PC.
20	1		211014-6	BALL BEARING 606	1	PC.
	2		211012-0	BALL BEARING 606ZZ	1	PC.
21			153622-6	* GEAR COMPLETE	1	PC.
22	1		211014-6	BALL BEARING 606	1	PC.
	2		211012-0	BALL BEARING 606ZZ	1	PC.
23			421810-6	SEAL RING	1	PC.
24			153620-0	* GEAR HOUSING COVER COMPLETE	1	PC.
25			213122-9	* O RING 12	1	PC.
26			417805-5	CHANGE LEVER B	1	PC.
27			345225-2	LOCK PLATE	1	PC.
28			256251-5	PIN 4	1	PC.
29			232143-2	LEAF SPRING	1	PC.
30			417804-7	RACK 12	1	PC.
31			268092-7	PIN 4	1	PC.
32			345223-6	CHANGE PLATE B	1	PC.
33			262087-2	RING 8	1	PC.
34			210005-4	BALL BEARING 608DDW	1	PC.
35			241881-5	FAN 52	1	PC.
36			517411-7	ARMATURE ASS'Y 115V	1	PC.
		INC.		Item No. 33,34,35,37,38		
37			681636-0	INSULATION WASHER	1	PC.
38			211021-9	BALL BEARING 607LLB	1	PC.
39			421494-0	RUBBER RING 19	1	PC.
40			417803-9	BAFFLE PLATE	1	PC.
41			266060-4	TAPPING SCREW 4X65	2	PC.
42			633525-5	FIELD 115V	1	PC.
43			417807-1	MOTOR HOUSING (OLD# 183453-9 - N/L/A)	1	PC.
44			819063-3	MAKITA LABEL (OLD)	1	PC.
45			643989-5	BRUSH HOLDER	1	PC.
46	1		191927-6	CARBON BRUSH CB-407, 2PC/SET (W/O ORIGIN)	1	SET
	2		195007-0	CARBON BRUSH CB-407, 2PC/SET (W/ ORIGIN)	1	SET
47			853858-4	NAME PLATE F/HP2050	1	PC.
48			689111-0	SPACER	2	PC.
49			643988-7	BRUSH HOLDER	1	PC.
52			650524-2	SWITCH TG813ALB-2	1	PC.
53			153284-0	HANDLE COVER COMPLETE	1	PC.
		INC.	263002-9	RUBBER PIN 4	2	PC.

Item No.	Type	Sub	Part No.	Description (*see Service changes on the bottom)	Qty	Unit
54			265999-8	TAPPING SCREW 4X25	3	PC.
55			687063-9	CORD CLAMP	1	PC.
56			265995-6	TAPPING SCREW 4X18	2	PC.
58			682559-5	CORD GUARD 8	1	PC.
59			664891-9	CORD W/PLUG 2P-18-2.5M, SJ	1	PC.
60			345280-4	* HEX. WASHER	1	PC.
61			263002-9	RUBBER PIN 4	1	PC.
62			410102-8	KEY HOLDER	1	PC.
100			654121-6	TAB	4	PC.
101			687010-0	BAND	1	PC.

ACCESSORIES

- See Catalogue or visit www.makita.ca for other optional accessories -

A01			324219-0	DEPTH GAUGE	1	PC.
A02			135302-6	* GRIP 36 ASS'Y	1	PC.
		INC.		* Item No. 10,11,12,60		
A03			824650-5	PLASTIC CARRYING CASE	1	PC.
		INC.	417724-5	LATCH	2	PC.
A04			193067-6	1/2" DRILL CHUCK & KEY SET	1	SET
		INC.	763430-3	CHUCK KEY S13	1	PC.
A05			192664-5	1/2" KEYLESS DRILL CHUCK	1	PC.
A06			192877-8	1/2" DRILL CHUCK	1	PC.
A07			765009-6	BLOW-OUT BULB 64	1	PC.
A08			781201-6	WRENCH 9	1	PC.
A09			763432-9	CHUCK KEY S13 (F/ Item No.A06)	1	PC.

SERVICE CHANGES

1. Changes on Grip Complete / Grip Assy

Item No.	Description	Type 1	Type 2	Type 3
10	Hex.Bolt M8x12		921923-8	
11	Grip Base		417630-4	
12	Grip Com.	152521-9 (With Slit)	152521-9 (No Slit)	153503-4
60	Hex Washer	-----		345280-4
A02	Grip Assy	134943-5 (N/L/A)	134943-5 (N/L/A)	135302-6

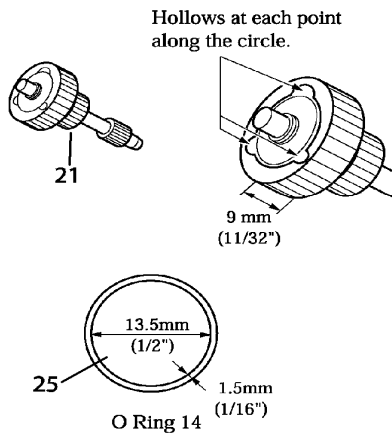
Above parts are completely interchangeable as a set.

2. Changes on Gear Com. and O Ring

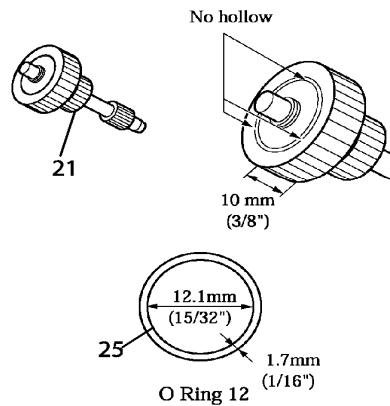
Item No.	Description	Type 1	Type 2
21	Gear Com.	153363-4 (N/L/A)	153622-6
25	O Ring	213162-7	213122-9
-	Grease N No.1 # 042017-7A	(use 38.5g)	(use 30.0g)

Above parts are completely interchangeable as a set.

Type 1

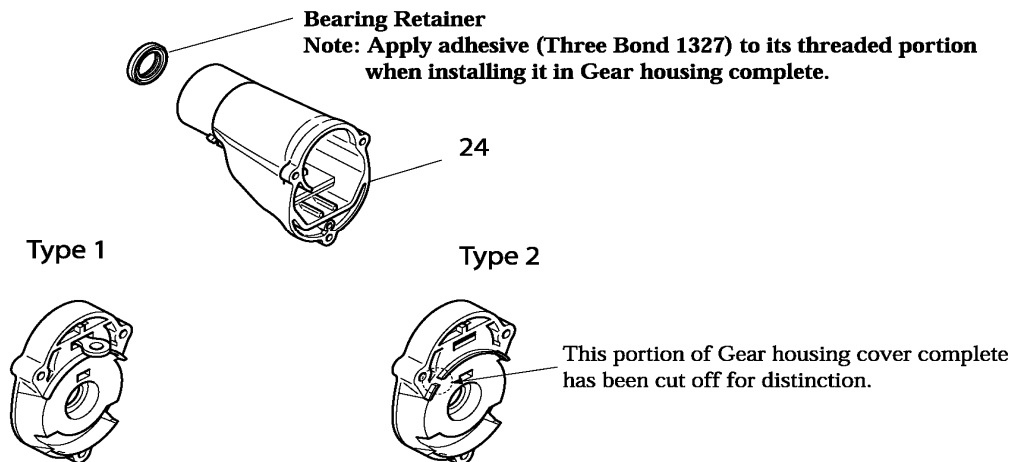


Type 2



3. Addition of Adhesive and Modification of Gear Housing Cover Com.

Item No.	Description	Type 1	Type 2
24	Gear Hsg Cover	153364-2 (N/L/A)	153620-0



SERVICE NOTE:

See **Technical Information #83239** for Wiring Changes.